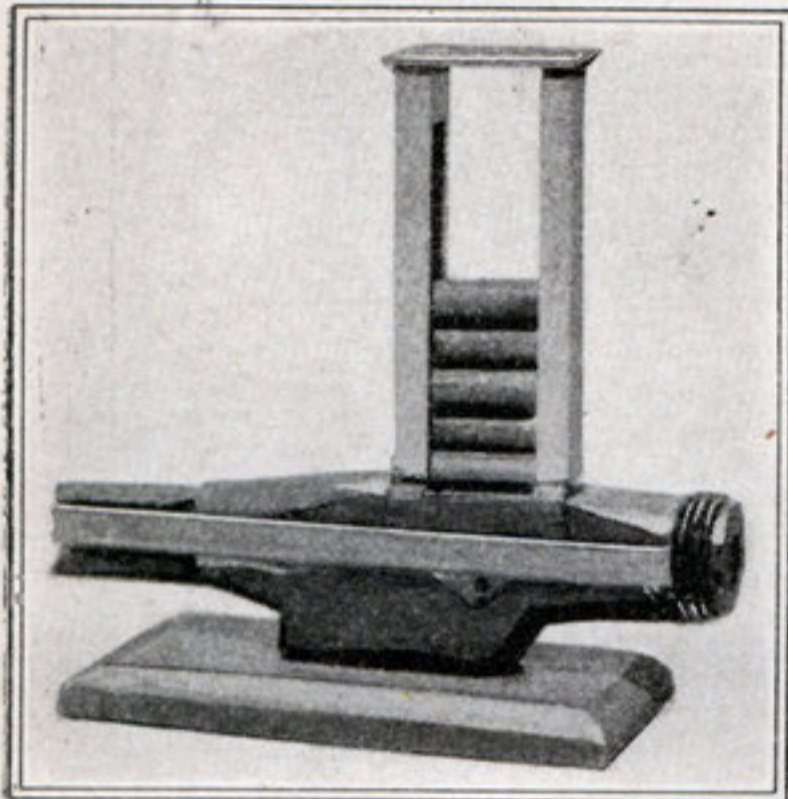


# Build a Toy World from

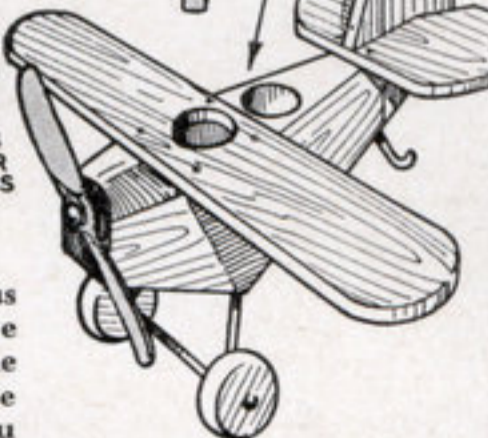
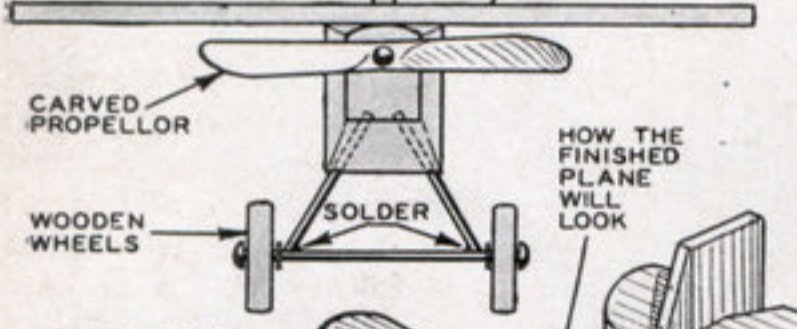
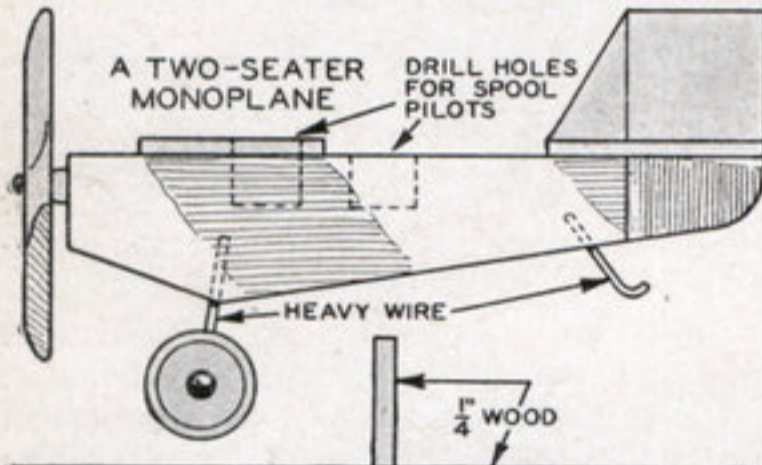
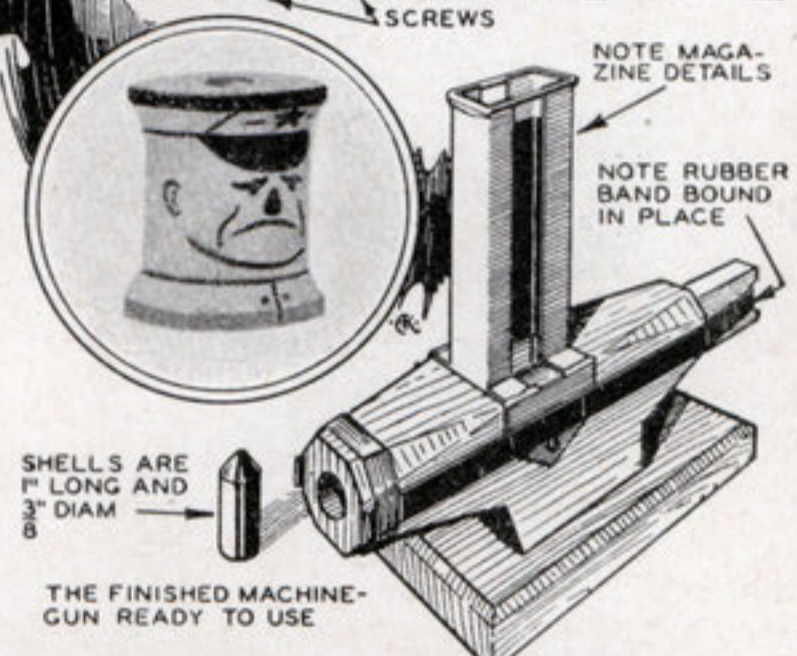
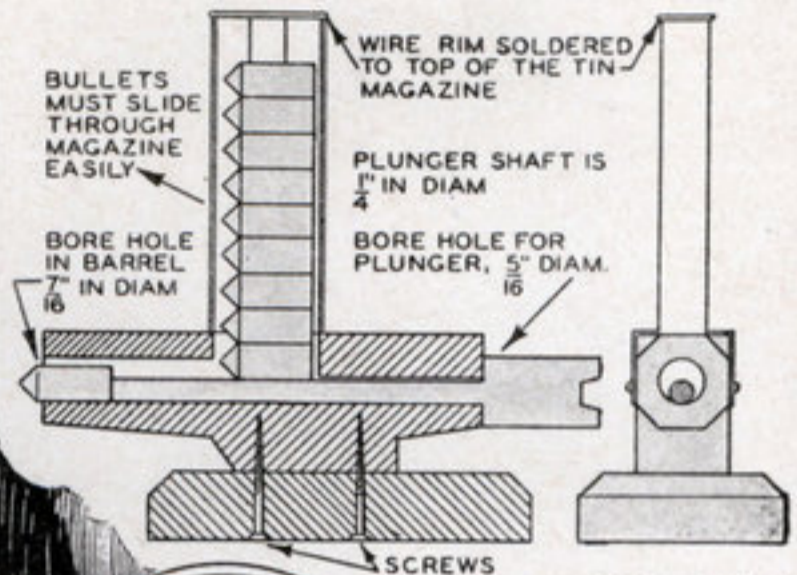


A MACHINE-GUN

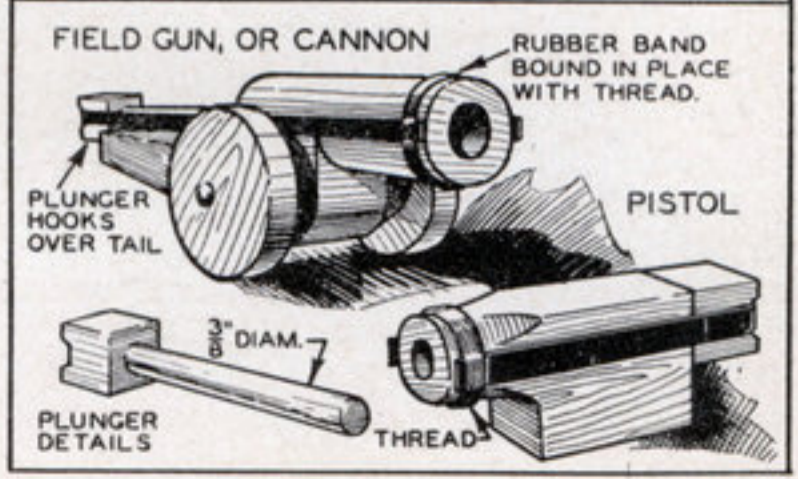
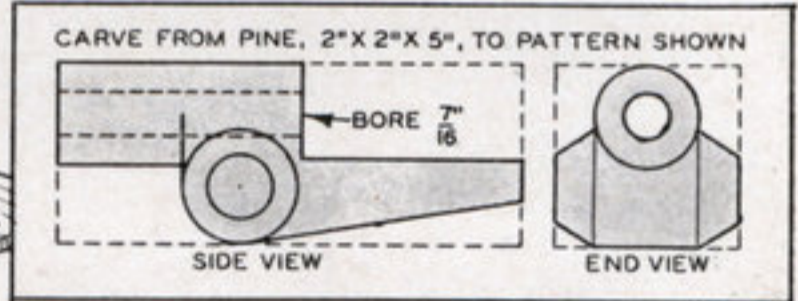
CARVE FROM PINE, 1" X 1 1/2" X 4 3/4"

CROSS-SECTION

END VIEW



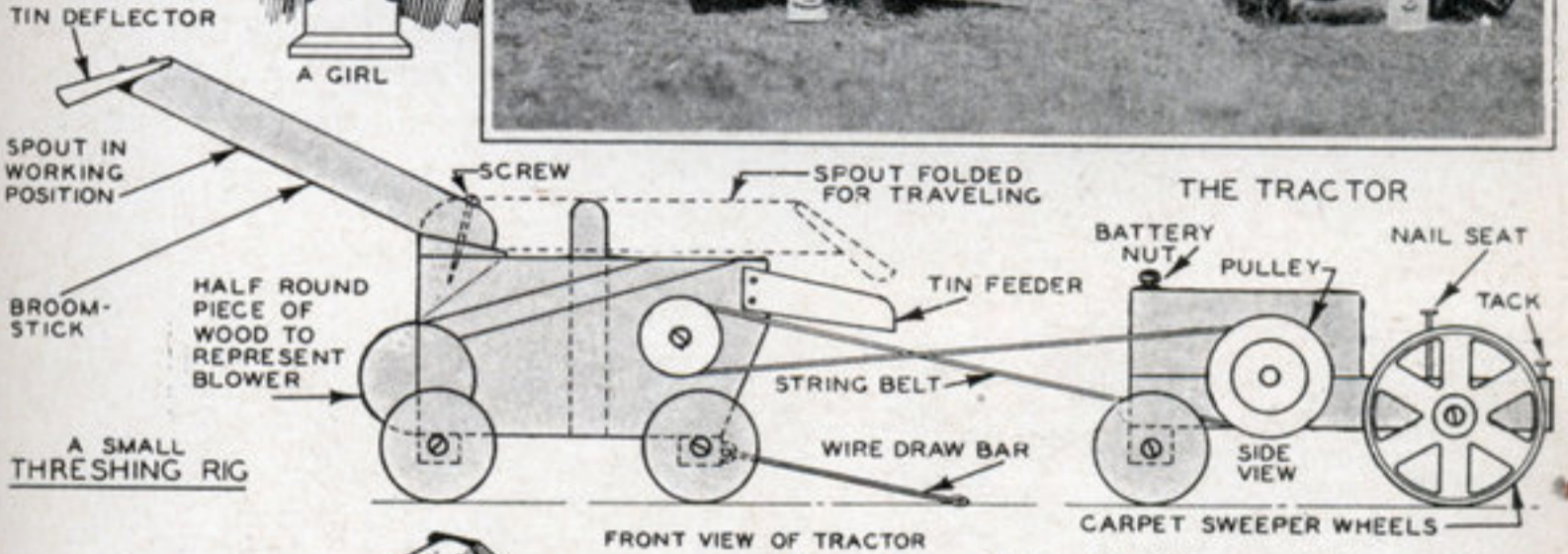
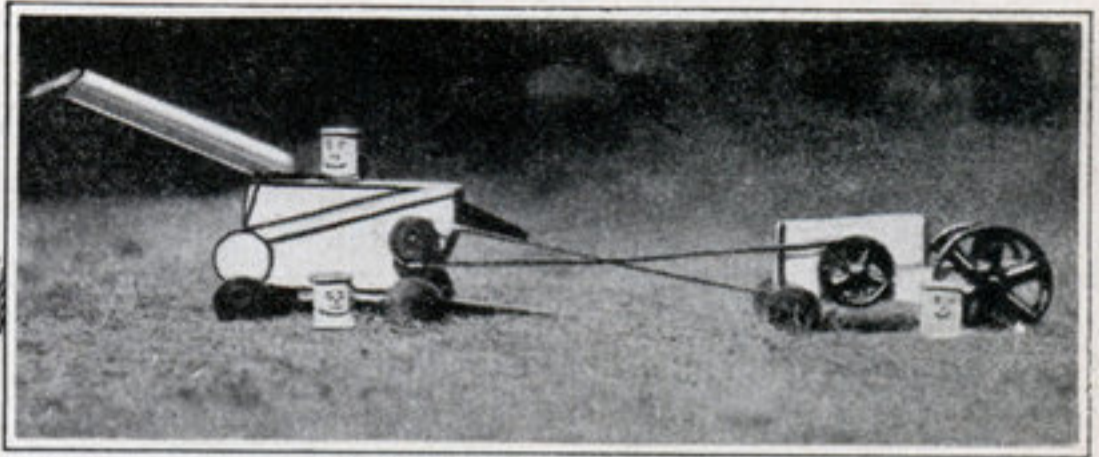
Plans for the various war machines are shown above. The rapid fire gun can be fired as fast as you can pull the plunger. The faces of the characters should be painted on the spool to distinguish between privates and officers. Following these designs, you can build up a large army of men and guns.



# Spools and Scraps of Wood

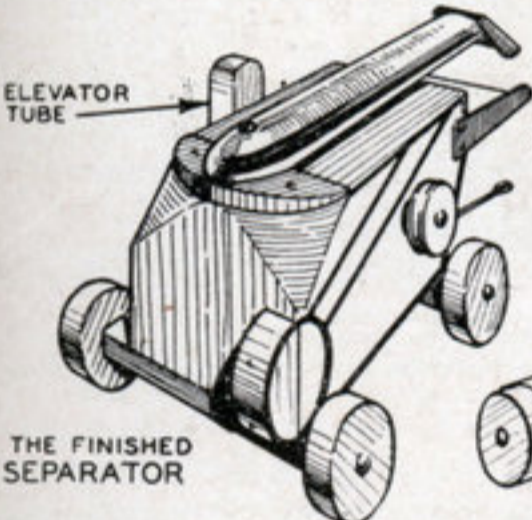


HOW TO MAKE SPOOL PEOPLE

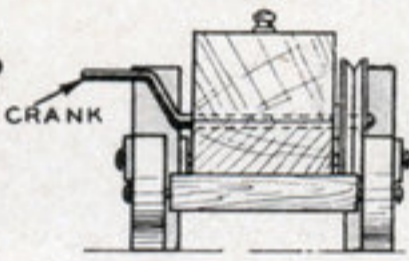


A SMALL THRESHING RIG

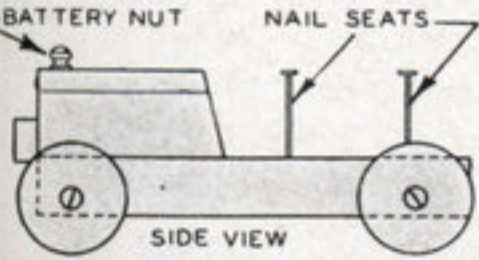
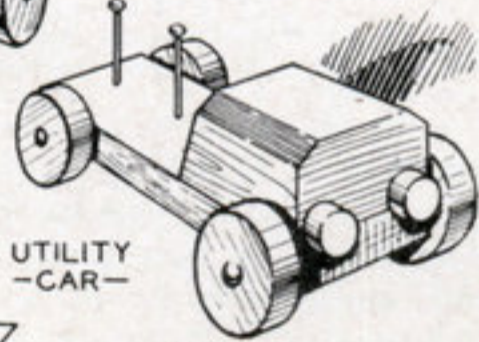
THE TRACTOR



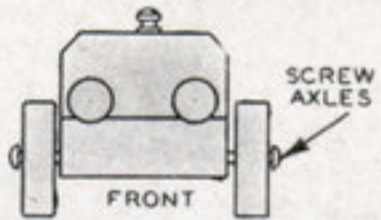
THE FINISHED SEPARATOR



UTILITY-CAR



SIDE VIEW



FRONT



Plans for farm machines are shown.

WITH some pieces of soft wood like pine, a collection of spools, a few sharp tools and a little ingenuity, you can make an endless variety of toys; in fact, create a whole toy world that will provide you with considerable enjoyment. The accompanying drawings give plans which are self-explanatory, but you can go ahead on your own hook and design any number of toys of your

All the people of your toy world can be made from spools. A good-sized army can be built up, its strength limited only by the number of spools available. On the opposite page you will find plans for building also the main "engines of war"—a rapid fire gun, a cannon and an airplane.

Should you be inclined to beat your swords into plow shares, you can build any number of farm toys, plans for which are shown. Identify the people by painting faces on the spools.

