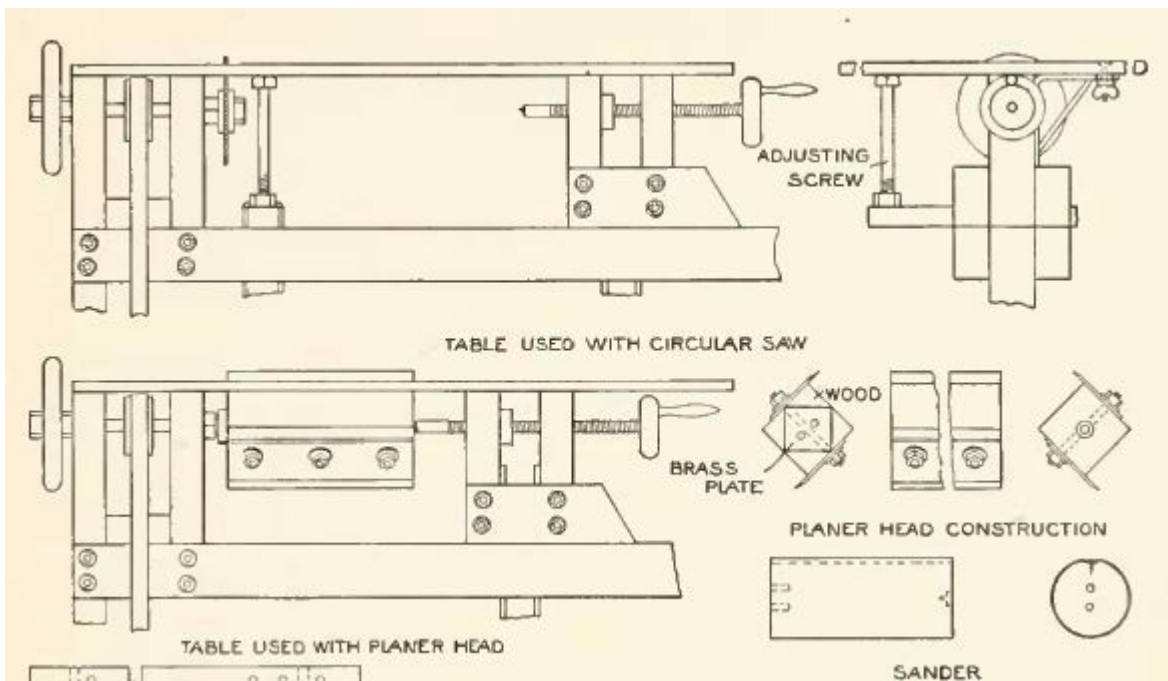
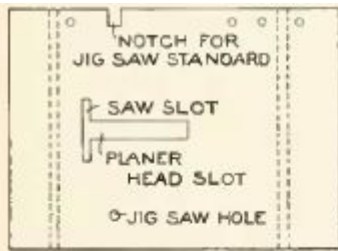
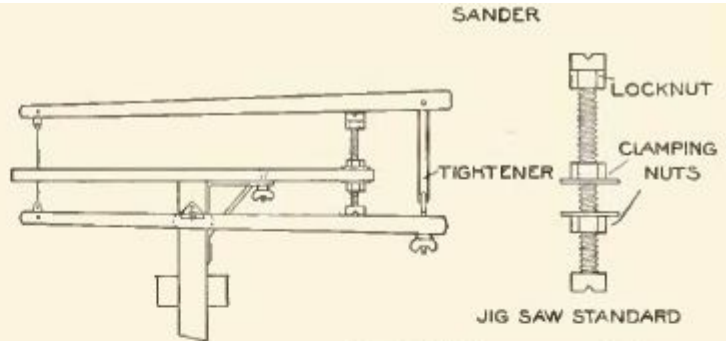


Detail of the Plain Lathe, Showing the Construction of the Clamp Devices for the Tailstock and Rest Slide, and the Manner of Attaching a Vise Jaw on the End of the Lathe Bed

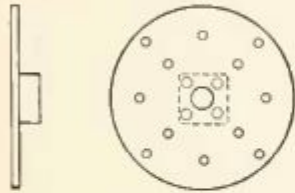




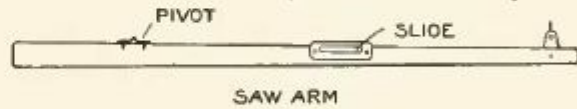
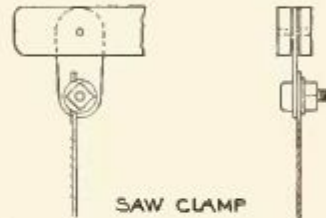
TABLE



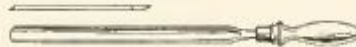
JIG SAW



FACE PLATE



CHISELS



GOUGES



ROUND NOSE CHISEL



DIAMOND POINT CHISEL

Detail of the Various Attachments for Use in Connection with the Lathe for Sawing, Planing and Sanding, and the Shape of the Tools Used in Turning, Together with the Faceplate and Spur Construction